



POWERSWITCH

DOLD 

Solid state relay / contactor PK 9260 More functions, more options

In order to improve the competitiveness of industrial systems, more and more companies are focusing on increasing their productivity. The result is a steady increase in switching frequencies. Conventional switching devices often have a hard time keeping up. The **PK 9260 solid state relay** from the DOLD **POWERSWITCH** series is the ideal solution. Once it is installed, the device remains active almost endlessly. Regularly exchanging devices – which costs both time and money – can be eliminated in the future. The PK 9260 stands out for its wear-free and low-noise switching operation and it is able to safely and reliably stand up to repeated loads and high temperatures. The PK 9260 solid state relay offers quick and easy commissioning through its ready-to-use construction.

The PK 9260 has two thyristors connected in reverse parallel, allowing it to function as a zero voltage switch for resistive loads. The DCB technology (direct copper bonding process) provides very good thermal transfer, making very high load currents possible. In addition, the device can be installed directly on existing cooling surfaces. It is available as a solid state contactor with an appropriately dimensioned heat sink and can easily be snapped onto a top hat rail. A LED display signals the status of the control input.

Your benefits at a glance

- ▶ Ready to use immediately – with an optimally designed heat sink
- ▶ Almost unlimited life span for high system availability
- ▶ Noiseless and wear-free switching – even at high switching frequencies
- ▶ Easy integration into existing automation systems
- ▶ Compact size of just 22.5 mm
- ▶ Flexible wiring and easy commissioning
- ▶ Can also be used in extreme environmental conditions (dust-proof, vibration and shock resistant)



Our experience. Your safety.

Solid state relay / contactor PK 9260

Technical features

- ▶ AC solid state relay / contactor
- ▶ In accordance with IEC/EN 62314, IEC/EN 60947-4-2 and -4-3
- ▶ 2 thyristors in reverse parallel
- ▶ DCB technology (direct copper bonding process) for very good thermal transfer properties
- ▶ Load current up to 88 A, AC-51
- ▶ Peak voltage up to AC 1600 V
- ▶ Insulation voltage 4000 V
- ▶ Control voltage up to AC 230 V
- ▶ LED status display
- ▶ Available with heat sink, snaps onto top hat rail
- ▶ Connect with M4 flat terminal or M5 screw terminal for cable lugs up to 25 mm²
- ▶ Zero voltage switch for resistive loads
- ▶ Width 22.5 mm



Solid state contactor PK 9260

Order information

Standard type: PK 9260.91
AC 48 ... 460 V 48 A DC 4 ... 32 V
Item number: 0064885

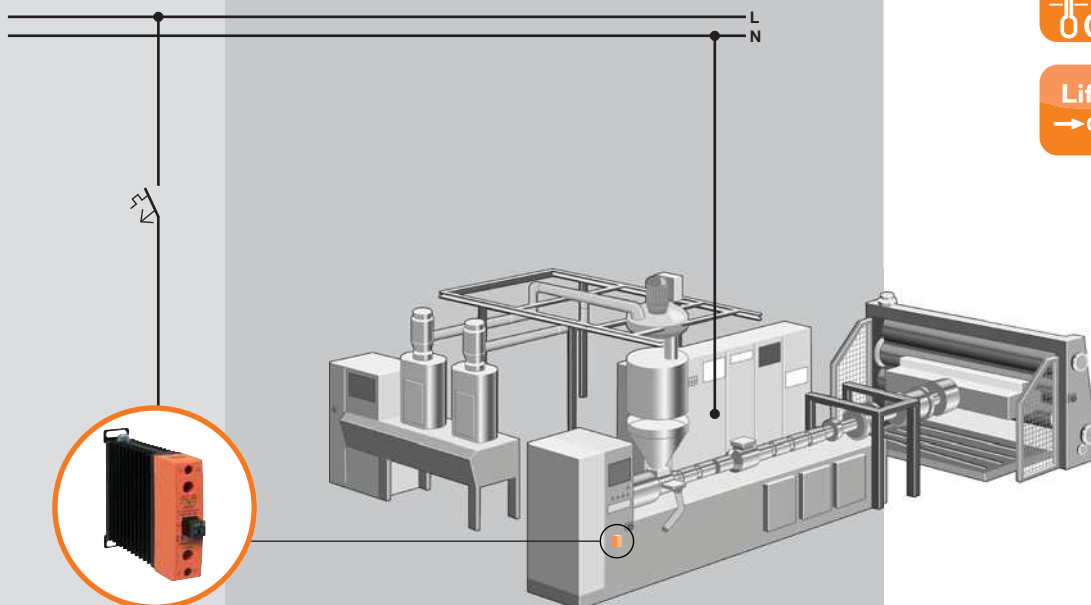
PK 9260.91/000/04 (+ heat sink)
AC 48 ... 460 V 20 A DC 4 ... 32 V
Item number: 0064886

Areas of application

- ▶ Rubber and plastics industry
- ▶ Food and drink industry
- ▶ Heating cooling and air conditioning technology
- ▶ Packaging industry
- ▶ Semiconductor industry

Examples of application

Plastic injection molding machines must be divided into multiple heating zones for efficient control. This requires a large number of solid state switching devices in the system. Due to the multiple devices and narrow space available in the machine, a compact design is an important basic feature. Narrow PK 9260 solid state relays can truly shine in such applications. The devices can easily be installed on an accumulator heat sink.



0 dB

f >

0°C

Life
→ ∞

Further information

PK 9260

Start

www.dold.com

Do you need a **solid state relay with additional load monitoring?**

PH 9270

DOLD

E. DOLD & SÖHNE KG
P.O. Box 1251 • 78114 Furtwangen • Germany
Tel. +49 7723 6540 • Fax +49 7723 654356
dold-relays@dold.com • www.dold.com